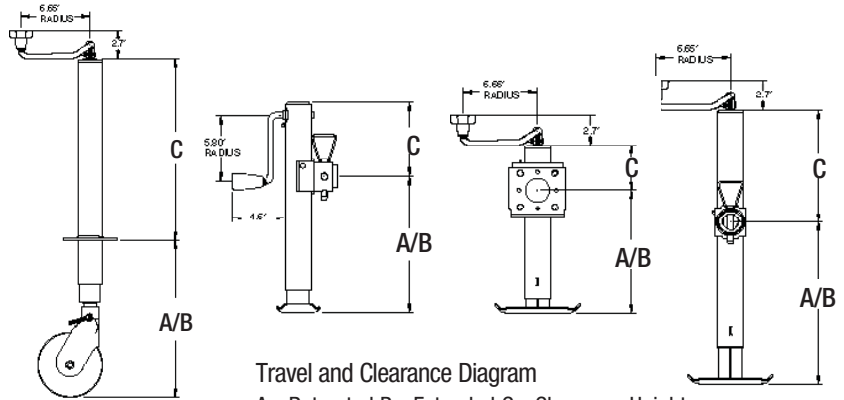


TRAILER JACKS • ROUND JACKS

ROUND JACKS

BULLDOG jacks are recognized as the industry standard by leading agricultural, commercial, horse, livestock, and other trailer manufacturers. For more than three quarters of a century, BULLDOG jacks have been demonstrated to be the most reliable, field-proven jacks on the market.



Travel and Clearance Diagram
A= Retracted B= Extended C= Clearance Height

STANDARD ROUND JACKS - TUBULAR SWIVEL - ROUND

Part No.	Model No.	Lift Cap. (lbs.)	Handle Style	Travel	Measurements			Description	Lbs.
					A Retracted	B Extended	C Clearance		
158451	TWS 158 DTSF w/P&C	2,000	Topwind	10"	11.00"	21.00"	4.00"	Weld-on tubular mount with 9/16" pin and foot plate. Male mating mount included.	13.5
158452	TWL 158 DTSF w/P&C	2,000	Topwind	15"	14.50"	29.50"	10.00"	Weld-on tubular mount with 9/16" pin and foot plate. Male mating mount included.	16.0
158109	SWS 158 DTSF w/P&C	2,000	Sidewind	10"	10.80"	20.80"	6.40"	Weld-on tubular mount with 9/16" pin and foot plate. Male mating mount included.	14.0
									Lbs.
158151	SWL 158 DTSF w/P&C	2,000	Sidewind	15"	14.50"	29.50"	12.20"	Weld-on tubular mount with 9/16" pin and foot plate. Male mating mount included.	16.0
178101	TWS 178 DTSF w/P&C	5,000	Topwind	10"	11.25"	21.25"	4.00"	Weld-on tubular mount with 9/16" pin and foot plate. Male mating mount included.	14.5
178151	TWL 178 DTSF w/P&C	5,000	Topwind	15"	14.70"	29.70"	10.00"	Weld-on tubular mount with 9/16" pin and foot plate. Male mating mount included.	18.0
178201	SWS 178 DTSF w/P&C	5,000	Sidewind	10"	10.40"	20.40"	6.40"	Weld-on tubular mount with 5/8" pin and foot plate. Male mating mount included.	15.0
178203	SWL 178 DTSF w/P&C	5,000	Sidewind	15"	15.40"	30.40"	6.40"	Weld-on tubular mount with 5/8" pin and foot plate. Male mating mount included.	18.0
198100	TWS 198 DTSM w/P&C	7,000	Topwind	10"	10.80"	20.80"	4.50"	Weld-on tubular mount with 5/8" pin and foot plate. Female mating mount included.	17.0
198200	TWL 198 DTSM w/P&C	7,000	Topwind	15"	15.80"	30.80"	4.25"	Weld-on tubular mount with 5/8" pin and foot plate. Female mating mount included.	20.0
198150	SWS 198 DTSM w/P&C	7,000	Sidewind	10"	11.00"	21.00"	6.40"	Weld-on tubular mount with 5/8" pin and foot plate. Female mating mount included.	19.0
198250	SWL 198 DTSM w/P&C	7,000	Sidewind	15"	16.00"	31.00"	6.40"	Weld-on tubular mount with 5/8" pin and foot plate. Female mating mount included.	21.0

TRAILER JACKS • ROUND JACKS



STANDARD ROUND JACKS - A-FRAME

Part No.	Model No.	Lift Cap. (lbs.)	Handle Style	Travel	Measurements			Description	Lbs.
					A Retracted	B Extended	C Clearance		
155022	TWL 155	2,000	Topwind	15"	8.80"	23.80"	12.20"	Weld-on/bolt-on bracket. Less wheel or base.	12.5
155028	TWL 155	2,000	Topwind	15"	8.40"	23.40"	13.00"	Weld-on/bolt-on bracket. Less wheel or base. Clear zinc finish.	12.5
155033	TWL 155X	2,000	Topwind	15"	5.40"	20.40"	16.00"	Weld-on/bolt-on bracket. Less wheel or base.	12.5
155157	SWL 155X (RV)	2,000	Sidewind	13"	8.60"	21.50"	13.00"	External gear box. Handle to front. Weld-on/bolt-on bracket. Less wheel or base.	14.0
155032	TWL 155 HD	5,000	Topwind	15"	10.30"	25.30"	10.20"	Weld-on/bolt-on bracket. Less wheel or base. (5000 lb. vertical load capacity)	13.3
1750290317	TWL 175	5,000	Topwind	15"	10.82"	25.82"	10.70"	Weld-on/bolt-on bracket. Less wheel or base.	13.3
RV20000303		2,000	Sidewind	14"	9.00"	23.00"	13.00"	PRO SERIES , Painted Black	12.0
1550100317	SWL 155X	3,000	Sidewind	13"	7.00"	20.00"	14.5"	External Gear Box	14.0
1400600303		5,000	Topwind	15"	10.80"	25.80"	14.55"	PRO SERIES , Painted Black	13.0



STANDARD ROUND JACKS - WELD-ON BRACKET & RETAINING RING SWIVEL

Part No.	Model No.	Lift Capacity	Handle Style	Travel	Measurements			Description	Lbs.
					A Retracted	B Extended	C Clearance		
151401	TWS 151 DS	2,000	Topwind	10"	11.00"	21.00"	4.00"	Weld-on L-bend swivel bracket assembled. 1/2" diameter plunger pin. With footplate.	13.0
151421	TWL 151 DS	2,000	Topwind	15"	14.50"	29.50"	10.00"	Weld-on L-bend swivel bracket assembled. 1/2" diameter plunger pin. With footplate.	16.0
151101	SWS 151 DS	2,000	Sidewind	10"	11.00"	21.00"	6.40"	Weld-on L-bend swivel bracket assembled. 1/2" diameter plunger pin. With footplate.	13.0
151159	SWL 151 DS	2,000	Sidewind	15"	14.50"	29.50"	12.20"	Weld-on L-bend swivel bracket assembled. 1/2" diameter plunger pin. With footplate.	17.0
171401	TWS 171 DS	5,000	Topwind	10"	11.25"	21.25"	4.00"	Weld-on L-bend swivel bracket assembled. 1/2" diameter plunger pin. With footplate.	14.0
171412	TWL 171 DS	5,000	Topwind	15"	14.50"	29.50"	10.00"	Weld-on L-bend swivel bracket assembled. 1/2" diameter plunger pin. With footplate.	17.0



ROUND JACK MOUNT OPTIONS



Part No.	Description	Part No.	Description	Style
500239	Male tubular swivel, 9/16" hole	005122	Weld-on, female, 7/8"	Weld-on

ROUND JACK HANDLE OPTIONS



Part No.	Description	Part No.	Description
500256	Sidewind for 150 series	500148	Topwind for 190 series
018917	Topwind for 150 / 170 series	500171	Sidewind for 190 series

ROUND JACK WHEEL / FOOT OPTIONS

Part No.	Description
017125	Removable steel caster. Reduces overall jack capacity to 1,000 lbs.
CE555	Removable polyolefin caster. Reduces overall jack capacity to 1,200 lbs.
1400700340	Detachable base, 2.1" height
FP20000201	Detachable base, 8.2" height

TRAILER JACKS • SQUARE JACKS



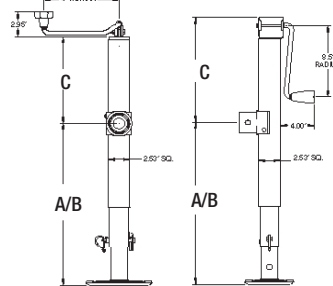
THE CHOICE WHEN APPLICATION REQUIRES COMPLIANCE WITH ASABE S485 STANDARDS

SQUARE JACKS

Square Up for Side Load Strength

Compared to round jacks of similar capacities, BULLDOG's heavy capacity square jack dramatically improves side load strength while maintaining the economical benefits of lower capacity jacks. The extra side load capacity you need without the costs of increasing overall capacity.

- 12-gauge square tube is 70% stronger than 12-gauge round tube for more side load and support strength with the same lift capacity
- 4.62" outer tube overlap at full extension for additional side load strength
- Mounts included in this series of jacks



Travel and Clearance Diagram

A= Retracted

B= Extended

C= Clearance Height



SQUARE JACKS - TUBULAR SWIVEL MOUNT

8,000 LBS. SUPPORT CAPACITY - 5,000 LBS. LIFT CAPACITY

Part No.	Model No.	Support Capacity	Handle Style	Travel	Measurements			Description	Lbs.
					A Retracted	B Extended	C Clearance		
190705	TWL 190 DL-B TSMQ w/P&C	8,000	Topwind	10"	11.41"	21.41"	4.25"	Fixed leg with heavy-duty base. With tubular swivel mount. (Includes mating mount, pin & chain).	18.0
190708	TWL 190 DL-B TSMQ w/P&C	8,000	Topwind	15"	12.66"	41.16"	10.25"	Drop leg with heavy-duty base. Drop leg offers 13.50" additional adjustment. With tubular swivel mount (includes mating mount, pin and chain).	27.0
190756	SWL 190 FL-B TSMQ w/P&C	8,000	Sidewind	15"	12.16"	27.16"	12.40"	Fixed leg with heavy-duty base. With tubular swivel mount (includes mating mount, pin and chain).	24.0

SQUARE JACKS - TUBULAR SWIVEL MOUNT - SQUARE

5,000 LBS. SUPPORT CAPACITY - 3,000 LBS. LIFT CAPACITY

Part No.	Model No.	Support Capacity	Handle Style	Travel	Measurements			Description	Lbs.
					A Retracted	B Extended	C Clearance		
195362	SWL 195 DTSXFQ w/P&C	5,000	Sidewind	15"	15.10"	30.10"	9.25"	Fixed leg with base. Square mount welded to outer tube (includes male mating mount, pin, and chain).	18.4

SQUARE JACKS - DIRECT WELD

8,000 LBS. SUPPORT CAPACITY - 5,000 LBS. LIFT CAPACITY

Part No.	Model No.	Support Capacity	Handle Style	Travel	Measurements			Description	Lbs.
					A Retracted	B Extended	C Clearance		
190704	TWL 190 DL-BQ	8,000	Topwind	15"	22.66"	51.41"	N/A	Drop leg with heavy-duty base. Drop leg offers 13.50" additional adjustment.	23.5
190754	SWL 190 DL-BQ	8,000	Sidewind	15"	25.06"	53.56"	N/A	Drop leg with heavy-duty base. Drop leg offers 13.50" additional adjustment.	25.0

SQUARE JACKS - DIRECT WELD • PRO SERIES



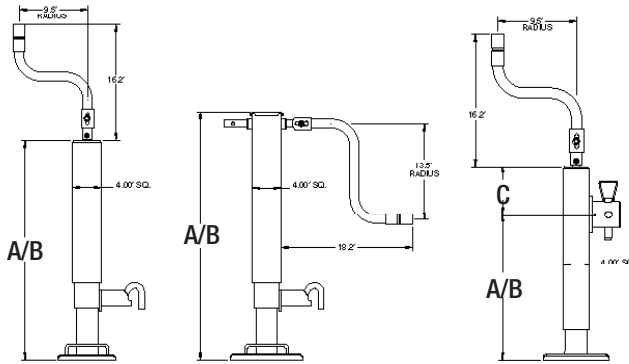
Part No.	Support Capacity	Handle Style	Travel	Measurements			Description	Lbs.
				A Retracted	B Extended	C Clearance		
1400800383	8,000	Topwind	15"	22.90"	51.50"	n/a	Finish is black painted outer and inner tube and 28" travel with drop leg.	20.00
1400850383	8,000	Sidewind	15"	25.20"	53.80"	n/a	Finish is black painted outer and inner tube and 28" travel with drop leg.	21.00

TRAILER JACKS • SQUARE JACKS / 10K - 12K CAPACITY

BULLDOG is the highest quality performing jack available in the marketplace today, a total balance between capacity, speed, and effort.



THE CHOICE WHEN APPLICATION REQUIRES COMPLIANCE WITH ASABE S485 STANDARDS



SQUARE JACKS - DIRECT WELD

12,000 LBS. SUPPORT CAPACITY - 10,000 LBS. LIFT CAPACITY

Part No.	Model No.	Support Capacity	Handle Style	Travel	A Retracted	B Extended	C Clearance	Description	Lbs.
180455	SWL 180 DL-BQ	10,000	Sidewind	15"	25.67"	54.17"	N/A	Drop leg with heavy-duty base. Drop leg offers 13.50" additional adjustment.	32.5
182800	SWQ 180 DL-B-SR	12,000	Sidewind	12.5"	27.4"	53.6"	N/A	Drop leg jack with standard disc foot. 13.5" of additional drop leg extension. Drop leg pull pin to the SIDE. Crank sold separately. WITH SPRING RETURN	57.4
182304	TWQ 180 DL-B	12,000	Topwind	12.5"	23.4"	49.4"	N/A	Drop leg jack with standard disc foot. 13.5" of additional drop leg extension. Crank sold separately. NON-SPRING RETURN	50.0

TWIN CAM DROP LEG JACK

Part No.	Capacity	Travel	A Retracted	B Extended	Description	Weight
182700	Sidewind	12.5"	27.5"	53.5"	Twin Cam Drop Leg – non spring return, 13.5" of drop leg extension. Crank sold separately.	62
182701	Sidewind	12.5"	28.5"	54.5"	Twin Cam Drop Leg – spring return, 13.5" of drop leg extension. Crank sold separately.	63.5

2-SPEED SQUARE JACKS - DIRECT WELD

12,000 LBS. SUPPORT CAPACITY - 10,000 LBS. LIFT CAPACITY



Part No.	Model No.	Support Capacity	Gearbox Style	Travel	A Retracted	B Extended	Description	Companion	Lbs.
NON-SPRING RETURN									
183416	SWQ 183 DL-BX	12,000	Planetary	12.5"	29.5"	55.6"	2-Speed, drop leg with standard disc foot. 13.50" additional drop leg extension. Drop leg pull pin to the FRONT. Crank sold separately.	182415	67.0
WITH SPRING RETURN									
183816	SWQ 183 DL-BX w/SR	12,000	Planetary	12.5"	29.5"	55.6"	2-Speed, drop leg with standard disc foot. 13.50" additional drop leg extension. Drop leg pull pin to the FRONT. Crank sold separately.	182815	65.0



005122 Female Mating Mount (Purchased separately)

ACCESSORIES - 12,000 LB. CAPACITY JACKS

REMOVABLE CRANKS

Part No. 701466

- Non-slotted design for better weather resistance and 2-speed performance
- Remains firmly attached for convenience or may be removed easily for theft deterrence
- Fits 1" schedule 40 steel pipe for remote mounting



Part No.	Description	Lbs.
005122	Weld-on female mount for 7/8" pull pin. 4.00" O.D., 3.375" I.D., 2.75" long.	3.0
015181	Sidewind crank assembly with 13.50" radius. Vertical clevis. Mounting hardware included. Extends 17.50" from the jack. Black primed finish.	3.5
800075	Topwind crank assembly with 9.50" radius. Vertical clevis. Mounting hardware included. Extends 15.50" from the top of the jack. Black finish.	3.0
701466	Removable sidewind crank with 13.5" offset radius. All zinc-plated crank. Dual handle grips for cranking and shifting. For use with OEM supplied out-board bushing or may be attached directly on jack gearbox. Needs 012378 adapter with traditional gearbox.	4.0

MARINE JACKS / RACK & GEAR / POWER JACKS

MARINE AND RECREATIONAL JACKS - RETAINING RING SWIVEL



Part No.	Lift Capacity (lbs.)	Handle Style	Travel	Measurements			Description	Lbs.	Pkg.
				A Retracted	B Extended	C Clearance			
EJ10000101	1,000	Sidewind	10"	13.0"	23.0"	11.0"	6" Wheel, Clear Zinc Finish, Bolt-on, Fits up to 3"x5" Trailer Frame	15.0	Ind. Box

					
EJ1000 0101	XP10 0101	XP15 0101	XPD15L 0101	1413040134	1413020134

MARINE AND RECREATIONAL JACKS - PATENTED BOLT-THRU SWIVEL

Part No.	Lift Capacity (lbs.)	Handle Style	Travel	Measurements			Description	Finish	Pull Pin Dia.	Pkg.
				A Retracted	B Extended	C Clearance				
XP10 0101	1,200	Sidewind	10"	12.5"	22.5"	10.5"	6" Diameter Wheel, Bolt-On , Mounting Hardware for up to 5" Frame Included, Handle & Wheel Unassembled	Z-Max 600 Clear Zinc	1/2"	Ind. Box
XP15 0101	1,500	Sidewind	10"	13.0"	23.0"	12.4"	8" Diameter Spoked Wheel, Bolt-On , Mounting Hardware for up to 5" Frame Included, Handle & Wheel Unassembled	Z-Max 600 Clear Zinc	1/2"	Ind. Box
XPD15L 0101	1,500	Sidewind	12"	13.0"	25.0"	14.4"	Additional 2" of Travel, Dual 8" Diameter Spoked Wheel, Bolt-On , Mounting Hardware for up to 5" Frame Included, Handle & Wheel Unassembled	Z-Max 600 Clear Zinc	1/2"	Ind. Box



F2® MARINE AND RECREATIONAL JACKS

Part No.	Lift Cap. (lbs.)	Handle Style	Screw Travel	Mount Travel	Pull Pin Diameter	Description	Packaging
1413020134 TWIN TRACK	1,600	Sidewind	10"	8"	9/16"	Individually Boxed. Includes Handle Hold-Up & Wheel Wedge Features, & Bolt-On Mounting Hardware for 3"x3" & 3"x4" Frames.	Ind. Box
1413040134 WIDE TRACK	1,600	Sidewind	10"	8"	9/16"	Individually Boxed. Includes Handle Hold-Up & Wheel Wedge Features, & Bolt-On Mounting Hardware for 3"x3" & 3"x4" Frames.	Ind. Box

STANDARD RACK / GEAR JACKS

Part No.	Model No.	Lift Capacity	Includes		Travel	Measurements			Description	Lbs.
			*Gear Box	*Rack Post		A Retracted	B Extended	C Clearance		
161300	161 W	750	0181610317	0180060301	16"	6.5"	22.5"	21.2"	Weld-on L-bend bracket, with steel wheel.	13.7
165111	165 D	750	0181550317	0185200301	16"	3.5"	19.5"	20.2"	A-frame weld-on/bolt-on bracket, with disc foot.	11.1
165311	165 W	750	0181550317	0180060301	16"	7.5"	23.5"	20.3"	A-frame weld-on/bolt-on bracket, with steel wheel.	13.4



A-FRAME TRAILER POWER JACKS

Part No.	Description
0093500	12 Volt DC powered with manual crank over-ride. 3,500 lbs lifting capacity 5,000lb. breakaway capacity. Full 18" stroke: (12" Power + 6" manual drop leg extension). Quick 30 second stroke time. Over sized, 5" diameter foot pad prevents divots Zinc plated foot is adjustable. Built-in leveling gauge. Dual night lights. Weather sealed switch. 26" overall height
500186	Positions quickly with 25" of total travel - 17" screw travel and 8" drop leg travel. Heavy duty 4000 lb. lift capacity. Built-in leveling gauge. Deploys and hooks up easily with onboard LED courtesy light. Black Cover. Drop Leg Included

JACK MOUNTS, CRANKS, FEET, BEARINGS, PINS



ROUND JACK MOUNT OPTIONS

Part No.	Description	Part No.	Description	Style
500239	Male tubular swivel, 9/16" hole	005122	Weld-on, female, 7/8"	Weld-on



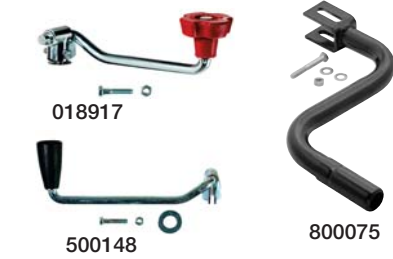
ROUND JACK HANDLE OPTIONS

Part No.	Description	Part No.	Description
500256	Sidewind	500148	Topwind
500180	Topwind	500171	Sidewind

ROUND JACK WHEEL / FOOT OPTIONS

Part No.	Description
017125	Removable steel caster. Reduces overall jack capacity to 1,000 lbs.
CE555	Removable polyolefin caster. Reduces overall jack capacity to 1,200 lbs.
1400700340	Detachable base, 2.1" height
FP20000201	Detachable base, 8.2" height
500245	Removable 6" caster with pin. Fits jacks with 2" inner tube

TOPWIND CRANKS



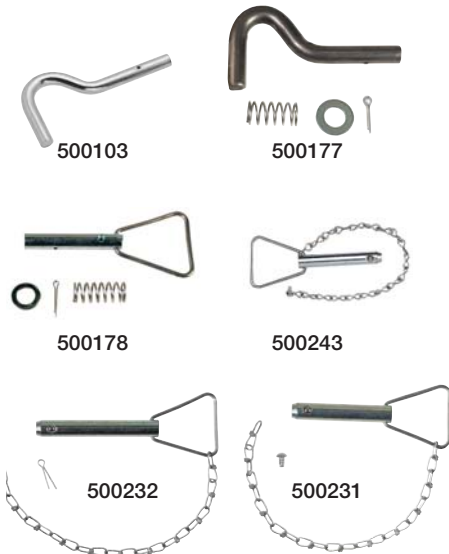
Part No.	Description	Pkg.
TOPWIND CRANKS		
018917	Topwind crank (6.75" radius) assembly with red knob. SERIES: Topwind-150, 160, 170. 2,000 - 5,000 lbs.	Clam
500148	Topwind crank (9.00" radius) assembly with black knob. SERIES: Topwind-190 7,000 lbs. 7,000 / 8,000 lbs.	Clam
800075	Topwind crank 1" tubing (15.50" radius) - 12,000 lb. square	Bulk
500246	Red Knob, BULLDOG Series 150, 160, Topwind - 170	Clam

ASSEMBLY KITS



Part No.	Description	Pkg.
BEARING KITS		
500251	Bearing kit. For 2,000 lb. capacity models. SERIES: 150	Clam
500223	Thrust bearing. For 5,000 lb. capacity models. SERIES: 170, Crown 5,000 lbs.	Clam
500224	Thrust bearing. For 8,000 lb. capacity models. SERIES: 190, Crown 7,000 lbs.	Clam
GEAR KITS		
500106	Sidewind gear kit. For up to and including 5,000 lb. capacity models. SERIES: 139, 159, 170 Crown 2,000/3,000/5,000 lbs.	Clam
500156	Sidewind gear kit. For 8,000 lb. capacity models. SERIES: 190, Crown 7,000 lbs. with 1/2" inside bottom gear	Clam
500212	Gear kit including, pins and bushing - 12,000 lbs.	Poly Bag
RETAINING RING KITS		
P9086-00	Swivel retaining ring. Fits most jack capacities. SERIES: 150, 160, 170	Bulk

PINS



PINS		
500103	3/8" plunger pin assembly. (Bulldog only)	Poly Bag
PIN KITS		
500178	1/2" plunger pin assembly kit. SERIES: 150, 160, 170	Clam
500243	9/16" pull pin 3.5" long with chain and drive screw. (5,000 lbs. - Topwind only) SERIES: 150, Topwind-170	Clam
500231	5/8" pull pin 3.5" long, with chain, and drive screw. (5,000 lbs. - Sidewind only) SERIES: Sidewind-170, Crown 2,000/3,000/5,000 lbs.	Clam
500232	5/8" pull pin, 4.25" long, with chain, and cotter pin. SERIES: 190, Crown 7,000 lbs.	Clam
500177	3/4" drop-leg plunger pin kit SERIES: 180	
DROP LEG PINS		
701472	9/16" drop leg pin, with chain and lynch pin for 190 series square jacks	Bulk
701471	3/4" drop leg pin, with chain and lynch pin for 180 series square jacks	Bulk
66053	5/16" snapper pin, with chain	Bulk