

# WEIGHT DISTRIBUTION SYSTEMS



## TRUNNION STYLE



Reese® has combined the best of the features from all of our weight distributing kits to create the High-Performance Trunnion Kit. It includes a head design with superior strength and easy adjustment.

The head includes a forged raised ball platform and forged Trunnion mounts. The channel of the head utilizes our “serrated washer” design. The serrated washers make it easier to dial in the set up of the High-Performance Weight Distributing Kit.

In addition to the changes in the head, the High-Performance Weight Distributing Kit includes the highest rated spring bars per class in the industry. They also feature an integrated cam for easy set up with the optional Dual Cam High-Performance Sway Control. Other features include 9-link chains for easier set up on larger trailer frames and innovative snap-up brackets designed for superior strength and durability.

- Raised hitch ball platform eliminates the need for raised hitch balls
- Easy-to-use serrated washers for head adjustment
- Forged ball platform and spring bar mounts
- Rated up to 15,000 lbs. GTW and 1,500 lbs. TW
- Limited lifetime warranty

### PATENTED INNOVATIVE DESIGN

*Easy-to-use serrated washer*

*Raised hitch ball platform eliminates the need for raised hitch balls*



*Forged ball platform and spring bar mounts*

### PATENTED INNOVATIVE DESIGN

*Forged integrated cam*



## WEIGHT DISTRIBUTION W/O HITCH BAR

Part No.	Description	Gross Trailer Wt.	Tongue Wt.
<b>66020</b>	Weight Distributing Hitch - Reese	10,000 lbs.	600 lbs.
<b>7901</b>	Weight Distributing Hitch - Draw-Tite		
<b>66021</b>	Weight Distributing Hitch - Reese	10,000 lbs.	800 lbs.
<b>7902</b>	Weight Distributing Hitch - Draw-Tite		
<b>66022</b>	Weight Distributing Hitch - Reese	12,000 lbs.	1,200 lbs.
<b>7903</b>	Weight Distributing Hitch - Draw-Tite		
<b>66131*</b>	Weight Distributing Hitch - Reese	15,000 lbs.	1,500 lbs.

*U.S. Patent Nos. 5,375,867 and 5,465,991, other patents pending  
\* Designed to be used with Ultra Frame® receiver*

## WEIGHT DISTRIBUTION W/HITCH BAR #54970

Part No.	Description	Gross Trailer Wt.	Tongue Wt.
<b>66540</b>	Weight Distributing Hitch - Reese	10,000 lbs.	600 lbs.
<b>66541</b>	Weight Distributing Hitch - Reese	10,000 lbs.	800 lbs.
<b>66542</b>	Weight Distributing Hitch - Reese	12,000 lbs.	1,200 lbs.

*U.S. Patent Nos. 5,375,867 and 5,465,991, other patents pending*

## TRUNION REPLACEMENT PARTS



58167  
62167

Part No.	Description
<b>58167</b>	Adjustable Ball Mount w/hardware- Fits Reese Brand & Tow Beast Kits
<b>62167</b>	Head Assembly w/hardware - Fits Draw-Tite Weight Distribution Kits
<b>22225</b>	800 lbs. Trunnion Spring Bar
<b>6664</b>	800 lbs. Trunnion Spring Bar (pair)
<b>66009</b>	1,200 lbs. Trunnion Spring Bar
<b>6666</b>	1,200 lbs. Trunnion Spring Bar (pair)
<b>58369</b>	1,500 lbs. Trunnion Spring Bar
<b>6637</b>	Snap Up Bracket Assembly Kit w/handle (2-piece)
<b>21501</b>	Snap Up Bracket w/Set Screw & Safety Pin

# WEIGHT DISTRIBUTION SYSTEMS



## ROUND BAR STYLE

The Round Bar Weight Distributing Hitch features easy-to-use adjusting blocks for easier and faster ball mount angle adjustment. It includes a one-piece cast head, snap-up brackets and chains; spring bars include an integrated cam for use with optional dual cam sway control.

In addition to the changes in the head, the Round Bar Weight Distributing Kit includes the highest rated spring bars per class in the industry. They also feature an integrated cam for easy set up with the optional Dual Cam High-Performance Sway Control. Other features include 9-link chains for easier set up on larger trailer frames and innovative snap-up brackets designed for superior strength and durability.

- Easy-to-use adjusting washers for head adjustment
- One piece cast head
- Rated up to 12,000 lbs. GTW and 1,200 lbs. TW
- Limited lifetime warranty



**PATENTED INNOVATIVE DESIGN**  
*Easy-to-use adjusting washer*

One piece cast head

Integrated right hand sway control platform

**PATENTED INNOVATIVE DESIGN**  
*Forged integrated cam*



## WEIGHT DISTRIBUTION w/o HITCH BAR

Part No.	Description	Gross Trailer Wt.	Tongue Wt.
66065	Weight Distributing Hitch	10,000 lbs.	600 lbs.
66066	Weight Distributing Hitch	10,000 lbs.	800 lbs.
66067	Weight Distributing Hitch	12,000 lbs.	1,200 lbs.

## WEIGHT DISTRIBUTION w/HITCH BAR #54970

Part No.	Description	Gross Trailer Wt.	Tongue Wt.
65509	Weight Distributing Hitch	10,000 lbs.	600 lbs.
67509	Weight Distributing Hitch	10,000 lbs.	800 lbs.
61009	Weight Distributing Hitch	12,000 lbs.	1,200 lbs.



58112  
62112



58113  
58114  
58115



6637

## ROUND BAR REPLACEMENT PARTS

Part No.	Description
58112	Adjustable Ball Mount w/hardware - Fits Reese Brand Round Bar Kits
62112	Head Assembly w/hardware - Fits Draw-Tite Brand Round Bar Kits
58113	600 lbs. Round Spring Bar
58114	800 lbs. Round Spring Bar
58115	1,200 lbs. Round Spring Bar
6637	Snap Up Bracket Assembly Kit w/handle (2-piece)
21501	Snap Up Bracket w/Set Screw & Safety Pin
58392	Snap Up Bracket w/Set Screw & Safety Pin (for use w/Weight Distribution Systems w/ Tongue Weights 800 lbs. and Over)
58207	Ball Mount Shim Kit

# WEIGHT DISTRIBUTION SYSTEMS

## TITAN® WEIGHT DISTRIBUTING TRUNNION STYLE



Designed for loads beyond normal everyday towing situations, Titan® Weight Distributing Hitch system provides a trunnion design with the highest rating available in the towing industry. Coupled with a 2-1/2" Class V Titan® receiver, heavy loads are transported with ease. Ideal for commercial and industrial use.



- Trunnion style weight distributing kit with integrated cams for use with Dual Cam Sway Control
- Perfect for use with horse trailers and RV's with heavy tongue weights
- Adjustable hitch bar sold separately
- Great for agricultural, marine and recreational use
- Limited lifetime warranty

## TITAN® WEIGHT DISTRIBUTING TRUNNION STYLE W/O HITCH BAR



Part No.	Description	Gross Trailer Wt.	Tongue Wt.
66006	Weight Distributing Hitch	17,000 lbs.	1,700 lbs.

Note: Do not exceed tow vehicle, hitch or equipment ratings.

## TITAN® HITCH BAR SELECTION CHART

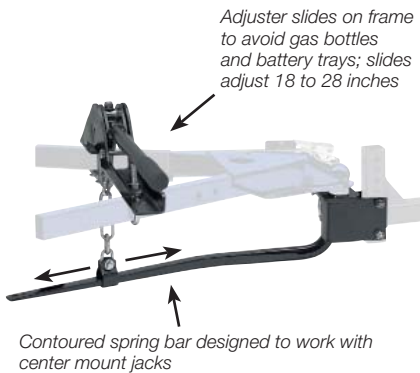
Part No.	Total Ht Adj	Length (L)	Rise (R)	Drop (D)	GTW/TW (lbs.)
54976	6-1/4"	15"	5-1/4"	1-1/4"	17,000/1,700
54977	14-1/4"	15"	8-1/4"	5-3/4"	17,000/1,700

NOTE: Do not exceed tow vehicle, hitch or equipment rating



## REPLACEMENT PARTS

Part No.	Description
58167	Titan® Trunnion Bolt-Together Head Kit w/ hardware
58392	Snap Up Bracket w/Set Screw & Safety Pin (for use w/Weight Distribution Systems w/ Tongue Weights 800 lbs. and Over)



## LIGHT DUTY WEIGHT DISTRIBUTING KIT

This light-duty weight distributing system is especially designed for use with lighter-weight trailers and pop-up campers. The center mount single bar is contoured to avoid interference with center-mounted jacks. The lift mechanism is designed to prevent interference with gas bottles or battery trays. It's easy to set up and use, and works with any 2" receiver.

The integrated lift bar feature provides the advantage of allowing a single person to operate from one side of the trailer. This system works with both side and center mounted tongue jacks. The sway control platform allows you to put a friction sway control on either side of the trailer.

- Bolt-together welded head
- Innovative single spring bar design
- Assembly hardware and chains included
- Rated up to 4,000 lbs. GTW /400 lbs. TW
- Works with both side and center mount tongue jacks
- Integral sway control platform



Part No.	Description
66069	Light Duty WD for A-Frame Trailers

\*Note: Not recommended for use with surge brakes

# WEIGHT DISTRIBUTION SYSTEMS

## PRO SERIES™ TRUNNION STYLE

The innovative Pro Series™ Trunnion weight distribution is engineered to provide the features you expect in a weight distribution kit at an economical price.



- New combination single piece cast head
- Easy to use adjusting washers
- Unique washer design allows for quick spring bar tension adjustment
- Round tapered spring bars
- Head is compatible with optional Friction Sway Control (each side)
- Includes hitch bar #63970
- 10 year limited warranty



### WEIGHT DISTRIBUTION W/HITCH BAR #63970

Part No.	Description	Gross Trailer Wt.	Tongue Wt.
49585	Weight Distributing Hitch	10,000 lbs.	600 lbs.
49586	Weight Distributing Hitch	10,000 lbs.	800 lbs.
49587	Weight Distributing Hitch	10,000 lbs.	1,200 lbs.

Available in skid quantities of 20. (Example: 49585-020)

## PRO SERIES™ RB2 - ROUND BAR STYLE

The innovative Pro Series™ Round Bar weight distribution is engineered to provide the features you expect in a weight distribution kit at an economical price.



- New combination single piece cast head
- Easy to use adjusting washers
- Unique washer design allows for quick spring bar tension adjustment
- Head is compatible with optional Friction Sway Controls (each side)
- Includes hitch bar #63970
- 10 year limited warranty



### WEIGHT DISTRIBUTION W/HITCH BAR #63970

Part No.	Description	Gross Trailer Wt.	Tongue Wt.
49568	Weight Distributing Hitch	10,000 lbs.	600 lbs.
49569	Weight Distributing Hitch	10,000 lbs.	800 lbs.
49570	Weight Distributing Hitch	10,000 lbs.	1,200 lbs.

Available in skid quantities of 20. (Example: 49570-020)



# WEIGHT DISTRIBUTION / SWAY CONTROL



## DUAL CAM HIGH-PERFORMANCE SWAY CONTROL

**Dual Cam HP**

This patented product is Reese® Products main technique for controlling trailer sway. Unlike Friction Sway Control, this approach works to control sway from the start rather than just resisting sway once it's begun. And it works only when needed. The advantage of the Dual Cam System is its ability to forestall sway in addition to sway resistance. It works to hold down the start of swaying activity while at the same time allowing free and easy vehicle and trailer interaction. Another advantage of the Dual Cam System is that it is installed on the trailer and therefore does not require adjustment every time the towing vehicle and trailer are hooked up, unless hitch weight or tow vehicle loading are changed.

- Integrated cams into the spring bars reduce noise
- No U-bolts to interfere with bottle racks or other A-Frame mounted items
- Specific attachment reference points provided
- Fits most applications
- Improved installation times
- Years of extensive field testing

Part No.	Description
26025	Classic Dual Cam High Performance Sway Control
26002	Dual Cam High Performance Sway Control

*Weight distributing hitch not included; use of sway controls with surge brakes not recommended; this product is recommended to be used with weight distribution that has the integrated spring bars only*



26002



26025



26660



3442

58060



83660

## FRICITION SWAY CONTROL

**REESE**

- Installs and removes easily
- Removes with two spring locking pins
- Heavy construction for added reliability
- Friction brake keeps trailer and tow vehicle stable
- Quick attachment to trailer frame and ball mount
- Can be used on left and right side

Part No.	Description
3442	Weld-on Sway Control adapter
58060	Replacement Sway Control ball 1-1/4" x 5/8"
58062	Replacement Ball Plate Assembly

## FRICITION SWAY CONTROL

**DRAW-TITE**

**PRO SERIES**

Part No.	Description
83660	Pro Series Friction Sway Control
3442	Weld-on Sway Control adapter
58060	Replacement Sway Control ball 1-1/4" x 5/8"
58062	Replacement Ball Plate Assembly

*Note: Weight distributing hitch not included; use of sway controls with surge brakes is not recommended.*



26003  
26005

## BOLT-ON MOUNTING ADAPTERS FOR SWAY CONTROL

- Easy bolt-on installation
- Bulk packaged
- Black powder coat finish over e-coat

**DRAW-TITE**

Part No.	Description
26003	Sway Control Adapter Bracket for Class III & IV 2" ball mounts
26005	Sway Control Adapter Bracket for Class II 1-1/4" drawbars

*26003 cannot be used with Class I or Class II Drawbars.*

*26005 cannot be used with Class I Drawbars.*

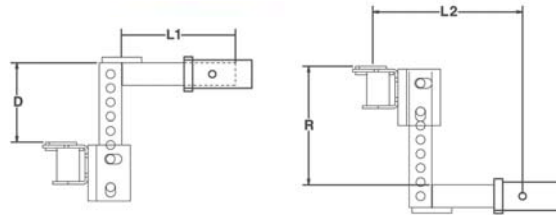
*Ball platform does not prevent adapter from turning during tightening.*

# WEIGHT DISTRIBUTION / HITCH BARS

## WEIGHT DISTRIBUTING HITCH BARS

Sold separately from the Weight Distributing Hitch Kits, hitch bars offer a full range of style and adjustability. Designed for use with all Trunnion and Round Bar Weight Distributing Kits.

- Angled, extended, "T" and deep drop designs available
- Designed for use in the rise or drop position
- Refer to the diagrams below to assist in determining the correct Length, Rise & Drop required when selecting the correct hitch bar for your Weight Distributing Hitch.



How to measure for the proper hitch bar  
(Illustrations show Adjustable Hitch Bar)

### Hitch Bar Styles



## HITCH BARS

- 2" x 2" solid shanks
- Black powder coat finish over e-coat



Part No	Style	Shank Size	Capacity lbs. (TW)	Shank Bar Length (L1)	Length(L2)		Drop (D)		Rise(R)	
					Round	Trunnion	Round	Trunnion	Round	Trunnion
3210	1	2"	1,400	10"	12-1/2"	11-7/8"	2-1/4"	1-1/4"	5-3/4"	7"
3212	1	2"	1,400	12"	14-1/2"	13-7/8"	2-1/4"	1-1/4"	5-3/4"	7"
3214	1	2"	1,400	14"	16-1/2"	15-7/8"	2-1/4"	1-1/4"	5-3/4"	7"
3215	2	2"	1,400	11"	13-1/2"	12-7/8"	6-3/4"	5-3/4"	10-1/4"	11-1/2"
3344	3	2"	1,400	11"	13-1/2"	12-7/8"	8-5/8"	7-5/8"	N/A	N/A
54970	4	2"	1,500	12-1/4"	14-3/4"	14"	2"	1-1/4"	5-1/4"	6-1/2"
54976	4	2-1/2"	1,700	15"	N/A	16-7/8"	N/A	1-1/4"	N/A	6-1/2"
54977	6	2-1/2"	1,700	15"	N/A	16-7/8"	N/A	5-3/4"	N/A	10-1/2"

Part No	Style	Shank Size	Capacity lbs. (TW)	Shank Bar Length (L1)	Length(L2)		Drop (D)		Rise(R)		PRO SERIES
					Round	Trunnion	Round	Trunnion	Round	Trunnion	
63970	4	2"	1,500	12-1/4"	14-3/4"	14"	2"	1-1/4"	5-1/4"	6-1/2"	
63971	5	2"	1,500	12-1/2"	15"	14-3/8"	6-1/2"	5-3/4"	N/A	N/A	

## WEIGHT DISTRIBUTING CHAIN HANGERS

For trailers with tongue interference (gas bottles, batteries, covered frames, etc.) where snap up brackets (#21501) won't install easily, we offer two easy-to-install options.

- Black powder coat finish over e-coat
- Installs quickly! (approximately 15 minutes)
- Includes hardware



Part No.	Description	Gross Trailer Wt.	Tongue Wt.
58305	Chain Hanger, Bolt On	14,000 lbs.	1400 lbs.
58306	Chain Hanger, Clamp On	14,000 lbs.	1400 lbs.



58305

58306



21501

## WEIGHT DISTRIBUTING SNAP UP BRACKETS

- Rugged positive locking design
- Unit locks using safety pin (#55180)
- Narrower, for increased frame clearance
- One-piece cast chain hook
- Black powder coat finish over e-coat

Part No.	Description
6637	Snap Up Bracket Assembly Kit w/handle (2- piece)
58162	Snap Up Handle
21501	Snap Up Bracket w/Set Screw & Safety Pin
58392	Snap Up Bracket w/Set Screw & Safety Pin (for use w/Weight Distribution Systems w/ Tongue Weights 800 lbs. and Over)