

WHEELS AND RIMS



R.H. SCALES COMPANY YEARS & YEARS OF WHEEL EXPERIENCE!

ONE OF THE LARGEST WHEEL DISTRIBUTORS IN THE UNITED STATES



- A COMPLETE LINE OF PASSENGER CAR WHEELS (12"-18"),
- LIGHT & MEDIUM TRUCK (14"-19.5"), HEAVY & OFF-ROAD (17.5"-25"), AND SMALL TRAILER WHEELS AND RIMS (8"-17.5").
- IN MANY CASES, CHOICE OF ORIGINAL OR MULTI-APPLICATION WHEELS.
- WITH ORIGINAL WHEELS, MATCH WHAT IS ON THE VEHICLE.
- WITH MULTI-APPLICATION WHEELS, REPRESENT 80% OF THE APPLICATIONS WITH LESS CHANCE OF OBSOLESCENCE, WHILE MAINTAINING FIT.
- A 95% FILL RATE YEAR ROUND AND BEST COVERAGE OF ANY DISTRIBUTOR WITH APPROX. COVERAGE OF 90% OF ALL VEHICLES

MEDIUM / HEAVY DUTY DEMOUNTABLE STEEL RIM ASSEMBLIES

ACCURIDE
WHEELS



DISC WHEEL ASSEMBLIES

HUB MOUNT WHEELS - Wheels that are designed to center on the hub at the bore of the wheel. These wheels generally have straight through bolt holes, since the bolt holes only supply clearance for the stud. Hub mount wheels are used with two piece flange nuts.

STUD MOUNT WHEELS - Wheels that are designed to center on the studs of a hub. These wheels have chamfers at the bolt holes into which a ball seat or conical nut is installed to center the wheel. The center bore of the wheel is only for clearance of the axle end.

TUBELESS DEMOUNTABLE RIMS

Accuride's years of experience and computer-aided designs provide the highest strength, the lightest weight, and the best ride of any steel demountable rim assembly on the market. This is why we produce more medium and heavy truck steel rims than any other manufacturer in North America. The medium / heavy steel demountable rim assemblies for cast spoke wheels are a standard product at all major truck OEMs using this type of hub system. Tubeless demountable rims are also available in the Heavy Duty versions for "Special Vocational" Applications.

TUBE-TYPE RIMS

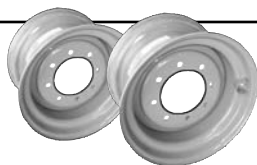
Accuride Corporation manufactures a selection of tube-type demountable rim assemblies for the medium / heavy commercial truck industry. The rims feature 5 degree bead seats on both sides to provide maximum support under the entire width of tire beads with cast spoke wheels. Accuride tube-type demountable rims are available in a variety of sizes along with associated channel and corrugated spacer bands

SPACER BANDS.

Corrugated steel channel spacer bands are available in a variety of sizes for the medium / heavy commercial vehicle industry. Enhancements have been made to the corrugated channel spacer to improve strength and performance, with the material thickness being increased by over 27%, and a taller flange designed into the edge of the spacer to ensure optimal strength.

DUPLEX® DEMOUNTABLE WIDE-BASE RIM ASSEMBLIES

R.H. Scales provides a wide range of DUPLEX® demountable rim product assemblies for cast spoke wheels which fit most "wide based tire" spoke hub applications



SKID STEER TIRES & WHEELS FOR BOBCAT • CASE • JOHN DEERE NEW HOLLAND • MUSTANG • CATERPILLAR



PART#	SIZE	PLY	TREAD DEPTH	O.D.	S.W.	RIM WIDTH	PSI	MAX LOAD (5mph 10mph)	
10165EHD	10-16.5TL	10	24	30.51	10.5	8.25	76	4,708	3,716
12165FHD	12-16.5TL	12	26	33.46	12.76	9.75	76	6,083	4,807

Road Guider Super Traction Tubeless Skid Steer Tires w/ Specially Designed Rim Guard

CALL RH SCALES CO., WE CAN HELP WITH SKID STEER WHEELS!



ALUMINUM HEAVY-DUTY TRUCK WHEELS



ALCOA - THE STANDARD FOR LIGHTER, BRIGHTER, STRONGER.

Alcoa wheels are the lightest on the market. Converting eighteen Alcoa aluminum wheels on a tractor trailer saves 648 pounds over a set of steel wheels. In addition, these wheels run cooler, are easier to maintain and help enable the highest payloads.

Alcoa wheels also fit certain applications of medium duty applications, helping lower your vehicle operating costs while improving its image and reducing your operating costs.

Extend your productivity, lower your operating costs and improve your image with aluminum wheels from Alcoa. They're the lightweight heavyweight.



ALUMINUM HEAVY-DUTY TRUCK WHEELS



ACCU-LITE® ALUMINUM WHEELS

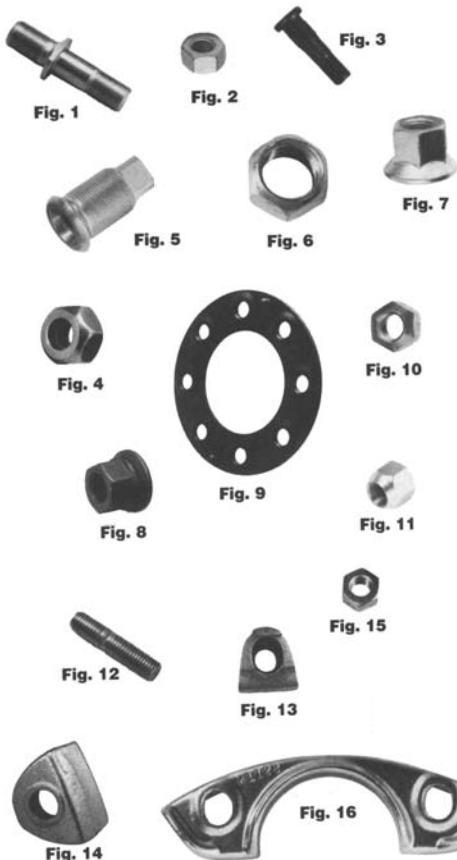
With the introduction of Accu-Lite® Aluminum Wheels – with their lighter weight and superior finish – Accuride once again set a new standard for lightweight aluminum wheels! We not only shaved weight off our previously lightweight wheels, but we also streamlined our available part numbers to make specifying even easier.

Hub-piloted wheels are installed with two two-piece flange nuts and are identified by non-chamfered (non-beveled) bolt holes. Benefits of hub-piloted mounting systems include elimination of bolt hole chamber wear, greater clamping force for a given torque, reduction in nut wear and nut replacement, elimination of left-hand threaded hardware, more consistent nut torque retention, and elimination of inner cap nuts

Stud-piloted wheels use nuts with a ball seat and inner cap nuts to locate the inner dual; and are identified by chamfered (beveled) bolt holes. Primary benefits of stud-piloted mounting systems are that the inner dual is secured independently and nut lubrication is not required.

TRUCK WHEEL ATTACHING PARTS

STUDS AND NUTS FOR DISC WHEELS



STUDS AND NUTS FOR DISC WHEELS

Typical examples of studs, nuts and clamping plates used with disc wheels are illustrated in this section. A typical stud (Fig.1) used with in-board brake drums has a thread on both ends, a shoulder with two flats, and is longer from the shoulder on the one end with an unthreaded section. The flat surfaces of the shoulder fit into the recessed outer surface of the hub to keep the stud from turning. The smooth portion is long enough to fit through the brake drum, and is then held in place by a back or jam nut (Fig.2). For outboard brake drums a serrated stud with threads on one side is typically used (Fig. 3).

On front stud mount wheels, an outer cap nut (Fig.4) or (Fig.6) is used. On stud mount rear dual wheel applications, the inner wheel is held in place by an inner cap nut (Fig.5) and the outer wheel by an outer cap nut (Fig.6).

For hub mount wheels which pilot from the center hole, flange nuts are used on both the front and rear wheels. One-piece flanged cap nuts (Fig.7) are used on light truck and medium truck applications. Heavy trucks and buses and some light trucks use a two-piece flange nut or swiveling lug nut (Fig.8) when hub mount wheels are used. Some light trucks use a clamping plate (Fig.9) and 90 degree cone nuts (Fig.10) for both the front and rear wheel. Light trucks which use single wheels on the front and rear axle require 90 degree cone nuts or 60 degree cone nuts (Fig.11), depending on the truck manufacturer.

RIM CLAMPS, STUDS AND NUTS FOR DEMOUNTABLE RIMS

The stud for cast spoke wheels (Fig.12), threaded on both ends, is installed in a threaded hole at the end of a spoke. The front clamp (Fig.13) and a rear clamp (Fig.14) hold the demountable rim in position with studs and nuts (Fig.15). A clamp for a three-spoke wheel with two stud holes is shown in (Fig.16).

STAINLESS STEEL WHEEL SIMULATORS

FOR ALL RV & TRUCK APPLICATIONS INCLUDING
FORD, GM, DODGE, INTERNATIONAL & FREIGHTLINER

D.O.T. Liner



These D.O.T. liners from Phoenix not only look great, but they also require no removal of lugs for mounting. Made from T304L stainless steel for lasting beauty and durability, these liners feature a protective rolled edge for strength and handling safety. These wheel simulators won't violate your chassis manufacturer's warranty and are easy to install and remove with no additional tools required--everything you need is included.



PART #	WHEEL SIZE/BOLT PATTERN	STYLE	APPLICATION
GDG01	16" 8° on 6.5"	Over The Lug	fits Accu-Ride '01+ Chevy NBS 29588, 29361 (x45477)
GQ64	16", 8 on 6.5"	2WD, 4WD OTL	Universal, Fits most applications
GD816	16"/16.5", 8 on 6.5"	4WD, OTL	Ford (92+), custom fit
N6664	16", 6° on 222mm	Over The Lug	fit medium duty import trucks (FS28860)
NF10	16", 10° on 7.25"	Over The Lug	Ford (88+), custom fit, Super Duty
GDF17	16" 8° on 170mm	Over The Lug	fits Accu-Ride '02 & earlier Ford SD
NF98	16", 8° on 6.5"	Over The Lug	Ford E-350 w/ 8 rd. cutouts on wheel
GDF16	16" 8° on 170mm	Over The Lug	fits Accu-Ride '03 plus Ford Super Duty
NF23	17" Dual 8 on 170 mm	2WD, 4WD OTL	05+ Ford F350
N6670	17.5" 6° on 222mm	Over The Lug	Isuzu, Japanese Applications
N6640	19.5" 6° on 222mm	Over The Lug	Isuzu, Japanese GAS Engines
N6681	19.5" 6° on 222mm	Over The Lug	Isuzu, Japanese DIESEL Engines
G961	19.5", 5/10 on 7.25"	Over The Lug	P-30 & Class A motorhomes
NH8494F	19.5", 8 on 275mm	Over The Lug	GM/ Tag Axle Set
NH8494	19.5", 8 on 275mm	Over The Lug	GM/Ford w/ 30mm hex lugs
NH8495	19.5", 8 on 275mm	Over The Lug	IH, Freightliner, Ford w/ 32mm hex lugs
NF19	19.5 x 6 8 on 225mm	Over The Lug	fits Accu-Ride #29186 '99-02
NF22	19.5 x 6 8 on 225mm	Over The Lug	fits Accu-Ride '03+ Ford Super Duty
QC1019	19.5 x 6.75", 8 on 225mm	Over The Lug	'99 Ford SuperDuty
NF25	19.5 x 6 10 on 225mm	2WD, 4WD OTL	05+ Ford SuperDuty
N252F	22.5x8.25", 10 on 11.25"	Over The Lug	fits Accu-Ride #27404, fronts
2252RC-82 *	22.5x8.25", 10 on 11.25"	lug mounted	fits Accu-Ride #27404, rears
NH552	22.5x7.50", 10 on 11.25"	Over The Lug	fits Accu-Ride #27403
2452FC-82 *	24.5x8.25", 10 on 11.25"	lug mounted	fits Accu-Ride #27406, fronts
N2458R	24.5x8.25", 10 on 11.25"	Over The Lug	fits Accu-Ride #27406, rears

* Indicates Kaper II product - these are lug-mounted applications

PHOENIX QUICKCOVER UNIVERSAL WHEEL SIMULATORS



- Made of Highly Polished, Durable T304L Stainless Steel
- Utilizes a Patented Ring Retention System • Installs in Minutes without Removing Lug Nuts
- Easy Access for Stemco Oil Seals • Rear Set Includes Valve Extensions

PART #	DESCRIPTION
QC175F	17.5" rims/wheels, front style, mod style
QC175R	17.5" rims/wheels, rear style, mod style
QC1019F	19.5" wheels, front style, mod style
QC1019R	19.5" wheels, rear style, mod style
QC1025F	22.5" rims/wheels (including wide base), front style, 2HH
QC1025R	22.5" rims/wheels (including wide base), rear style, 2HH



PHOENIX QUICKLINER WHEEL COVERS

Constructed from Stainless Steel and Polished to a Mirror Finish, Phoenix QuickLiner Wheel Simulators are a fast and easy way to give your wheels a great new look and style. These Wheel Simulators have a secure, snap-on, do-it-yourself mounting for quick, simple installation with no need to remove lug nuts

PART #	DESCRIPTION
GQST60	16" wheels, universal for trucks/trailers (except Ford F-350)
GQST50	15" wheels, universal for trucks/trailers

WHEELS AND RIMS • HUB & LUG NUT COVERS

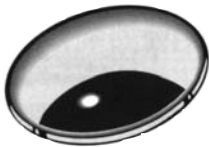


COMPLETE HUB COVER SYSTEMS



PART #	DESCRIPTION
KIT15	01+ GMC 16" 8 Hole New Body Style (Caps mount from front)
KIT43	99-02 16" 8 Hole F350 (with L17 - 14mm x 2.0, 1-1/16" hex flanged lug nuts)
KIT43A	03+ 16" 8 Hole F350 (with L23F - 14mm x 1.5, 1-1/16" hex flanged lug nuts)
076188B	1 steer axle cap & 10-L005 nut covers for unimount front wheel
077188B	1 drive axle cap & 10-L005 nut covers for unimount rear wheel
076155B	1 steer axle cap & 10-L004 nut covers for "Budd" front wheel
077155B	1 drive axle cap & 10-L004 nut covers for "Budd" rear wheel
Q820F	19.5 & 22.5 Chevy 8-275 w/30mm Front (each)
Q820R	19.5 & 22.5 Chevy 8-275 w/30mm Rear (each)
Q822F	Front 19.5 -8 Hole 33mm Hex for International Harvester, Freightliner
Q822R	Rear 19.5 -8 Hole 33mm Hex for International Harvester, Freightliner
001102	Front (pair) 19.5 - 8 on 225mm Ford SuperDuty
001103	Rear (pair) 19.5 - 8 on 225mm Ford SuperDuty
QH1002F	19.5 10 on 225mm Ford Superduty Front (each)
QH1002R	19.5 10 on 225mm Ford Superduty Rear (each)

FRONT HUB CAPS, SNAP IN (for stud & hub pilot, steel and aluminum 22.5" & 24.5" duals)



PART #S	DESCRIPTION
4-4 Q1401	fits 8 23/32" pilot diameter, 4 notches on back rim of cap
4-5	fits 8 23/32" pilot diameter, 5 notches on back rim of cap
4-6 Q1701	fits 8 23/32" pilot diameter, 6 "evenly spaced" notches on back rim of cap
4-6N Q1601	same as above, 6 notches on back rim of cap unevenly spaced



FRONT HUB CAPS, LUG MOUNTED (for light, medium, & HD trucks, steel & aluminum duals)

PART #	DESCRIPTION
44UA	17.5", 19.5", 20", 22.5", 6 on 8.75" bolt pattern
64UE	16" & 16.5", 8 on 6.5" bolt pattern (simulated lug nut covers)
64UEOE	same as above, with cutout for 4WD axle (simulated lug nut covers)



REAR AXLE COVERS (derby style for lt., medium, & HD trucks, steel & aluminum duals)

PART #S	DESCRIPTION
5US CO12955A	22.5" & 24.5", 10 on 11.25" or 10 on 285.75mm bolt patterns
5U8 CO33SS	19.5", 22.5", & 24.5", 8 on 275mm bolt pattern
45UA	17.5", 19.5", 20", 22.5", 6 on 8.75", bolt pattern
65UE	16" & 16.5", 8 on 6.5" bolt pattern (simulated lug nut covers)

LUG NUT COVERS



PART #S	DESCRIPTION
1000 XSP01	1" hex stainless steel- older GMC light trucks
1000T	1" hex stainless- later model GMC light trucks (taller for longer stud)
1012D XSP07	1 1/2" hex stainless- "Budd" wheels w/ double cap nuts (stud pilot)
1014	1 1/4" hex chromed stainless- "Dayton" style rim clamp nuts
1016F SP03	1 1/16" hex flanged stainless- 84+ Ford light trucks
1018F	1 1/8" hex flanged stainless- GMC, Ford, Dodge 1 pc. flanged nut
1030F SP27	30mm hex flanged stainless- GMC medium duty (19.5")
1033F SP17	33mm hex flanged stainless- 10h unimount (hub pilot) wheels
1041	41mm hex stainless- medium duty import trucks w/ double cap nuts (stud pilot)
1078F PGCF896	7/8" hex flanged stainless- older GMC, late model Ford light trucks
H150 (=L004)	1 1/2" hex Alcoa "Hug-A-Lug" spring loaded cover- "Budd" wheels (stud pilot)
H180 (=L005)	35mm hex Alcoa "Hug-A-Lug" spring loaded cover- Unimount wheels (hub pilot)
H181	33mm hex • 31mm High Cover Chrome
H188	33mm threaded with inner threaded clamp ring (for 076188, 077188 kits)

REAR AXLE END HUB COVERS (for stud & hub pilot, steel & aluminum 22.5" & 24.5")



PART #	DESCRIPTION
9	universal 8 1/2" axle end cover, use with 5/8" drive flange studs
9H	same as above, has cutout in center of cap for hubodometer
11	universal 8 1/2" axle end cover, use with 3/4" drive flange studs
11H	same as above, has cutout in center of cap for hubodometer



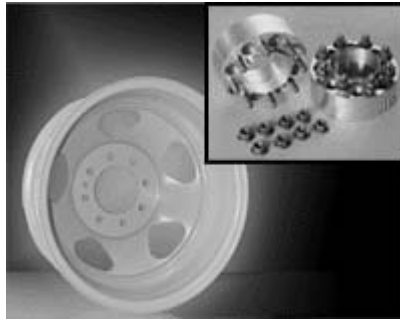
WHEEL SPACERS

Wheel Spacers are designed to give your vehicle a wider stance or more clearance for tires.

PART NO.	DESCRIPTION
90120	5/16" thickness - for 5 on 4.5" / 5 on 5" Bolt Circle
90130	5/16" thickness - for 5 on 5.5" / 6 on 5.5" Bolt Circle
90140	5/16" thickness - for 8 Hole Bolt Circle



REAR DUAL WHEEL ADAPTER (CONVERSION) KITS



All Arrowcraft Adaptors are made from steel. There is absolutely NO aluminum in our processing. The adaptors are precision machined to fit your truck perfectly. No axle change is necessary; mounting is as easy as changing a tire! All of our adaptor kits come with the necessary mounting hardware and easy-to-follow instructions.

PART NO.	DESCRIPTION
AA-1D4	Rear conversion kit for 1994-2000 Dodge truck and van, uses Accuride 29578 steel wheel
AA-1C8	Rear conversion kit for 1988-2000 Chevy/GMC truck & van rear drum brakes, uses Accuride wheel number 29587
AA-1CD	Rear conversion kit for 2001-2010 Chevy/GMC truck & van rear disc brakes, uses Accuride wheel number 29588 in a sixteen inch and 50271PG in a seventeen inch
AA-1F-9	Rear conversion kit for 1999-2004 Ford F-Series Truck, uses Accuride 29583 sixteen inch steel wheel ONLY
REMA	Tool to bore out holes on 29186 (29584) wheels



ALL WEATHER PASSENGER & LIGHT TRUCK WHEEL COVERS

Top quality durable wheel covers for use with snow tires and wheels, or to dress up your passenger car or light truck. Heavy Duty ABS Construction Specially formulated ABS to endure extreme temperatures. High quality brushed silver finish. Sold Individually. Styles may vary.

PART NO.	DESCRIPTION
850713S	Silver 13" Directional Spoke Hub Cover
14014-S	Silver 14" - (Toyota Style "Hector" Design)
14015-S	Silver 15" - (Toyota Style "Hector" Design)
13915-S	Silver 15" - (Toyota Style "Medusa" Design)
516-S	Silver 15" (Toyota Corolla Design)
505P-S	Silver 15" (Toyota Camry Design)
616-S	Silver 16" (Toyota Corolla Design)
13916-S	Silver 16"- (Toyota Style "Medusa" Design)
73021-SM	Silver 17"- (Monte Carlo Design)

ABS "QUICKTRIM" TRAILER HUB COVERS

Heavy Duty ABS Construction to dress up your trailer. Specially formulated ABS to endure extreme temperatures. High quality silver finish. Sold Individually. Styles may vary.



PART NO.	DESCRIPTION
QT545CHS	CHROME ABS HUBCOVER 5LUG ON 4.5 BC - 3" High
QT545CHN	TALL CHROME ABS HUBCOVER 5LUG ON 4.5 BC - 4.5" High
QT655CHN	CHROME ABS HUBCOVER 6LUG ON 5.5 BC
QT765CHN	CHROME ABS HUBCOVER 8LUG ON 6.5 BC (1/2" studs)
QT865CHN	CHROME ABS HUBCOVER 8LUG ON 6.5 BC (9/16" studs)